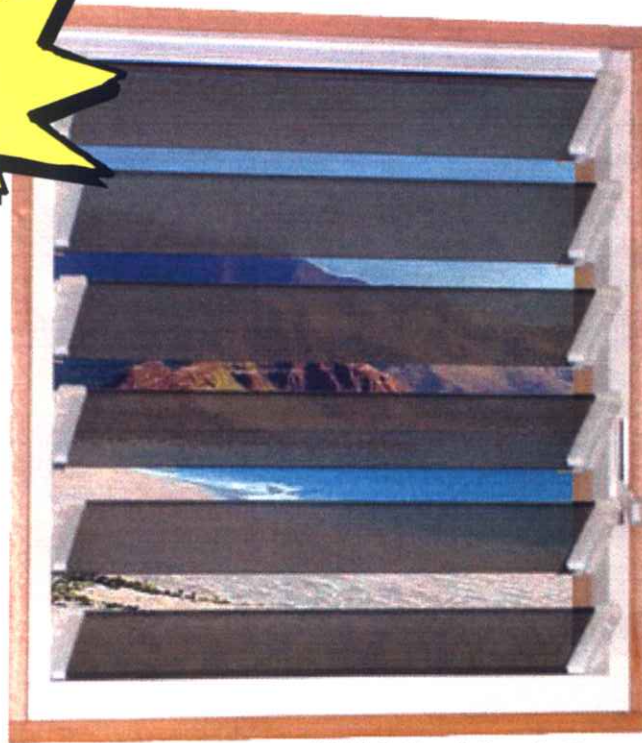
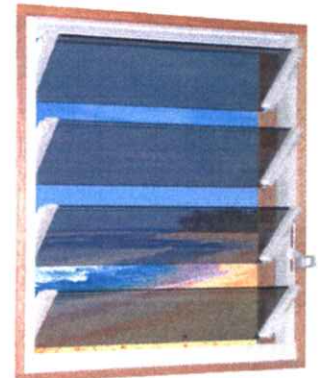


TRADEWIND

VINYL STRIP LOUVER HARDWARE



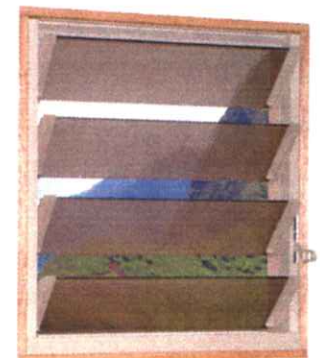
4" White Vinyl Gray
Clear Glass



6" White Vinyl
Gray Obscure Glass



4" Almond Vinyl
Bronze Clear Glass



6" Almond Vinyl
Bronze Obscure Glass

FEATURES:

- VINYL Channels
- 100% Ventilation
- White & Almond Available
- 4" or 6" Louver Blades
(Glass, Redwood and Extruded Vinyl)
- 2-1/8" Deduction for Louver Blades
- Polypropylene Clips
- New & Improved Internal Components
- Manufactured in Hawaii

SPECIAL FEATURE:

Clip replacement can be done "individually" without removal of jamb hardware channels.

Over 44 years of quality
products and services
exclusively from



R M A
SALES CO., INC.

4" TRADEWIND STRIP SIZES

6" TRADEWIND STRIP SIZES

SINGLE OPERATOR

11-1/2"	3 Blades
15"	4 Blades
18-1/2"	5 Blades
22"	6 Blades
25-1/2"	7 Blades

SINGLE OPERATOR

12"	2 Blades
17-1/2"	3 Blades
23"	4 Blades
28-1/2"	5 Blades

DOUBLE OPERATOR

29"	8 Blades
32-1/2"	9 Blades
36"	10 Blades
39-1/2"	11 Blades
43"	12 Blades
46-1/2"	13 Blades
50"	14 Blades

DOUBLE OPERATOR

34"	6 Blades
39-1/2"	7 Blades
45"	8 Blades
50-1/2"	9 Blades
56"	10 Blades

TRIPLE OPERATOR

53-1/2"	15 Blades
57"	16 Blades
60-1/2"	17 Blades
64"	18 Blades
67-1/2"	19 Blades
71"	20 Blades
74-1/2"	21 Blades

TRIPLE OPERATOR

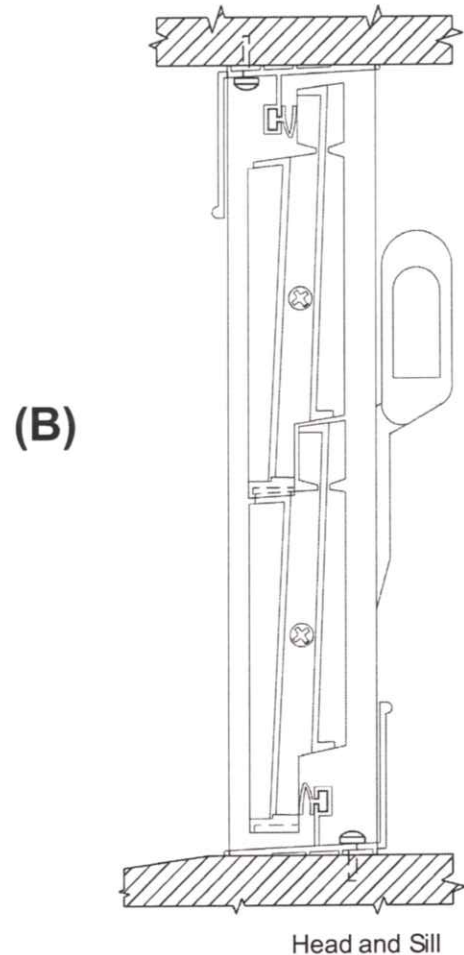
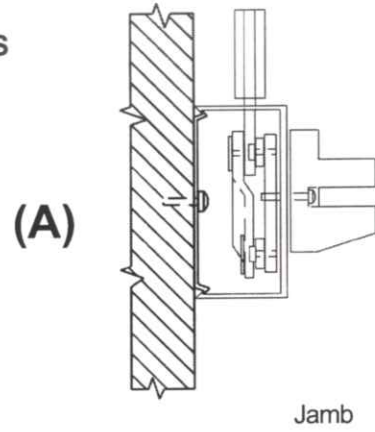
61-1/2"	11 Blades
67"	12 Blades
72-1/2"	13 Blades
78"	14 Blades
83-1/2"	15 Blades

FOUR OPERATORS

78"	22 Blades
-----	-----------

INSTALLATION GUIDE TRADEWIND STRIP LOUVER HARDWARE

- 1) Before installing Jalousie Hardware, window opening should be plumb and square.
- 2) Aligning of Hardware in window opening should be positioned so when Jalousie Blades are in the fully opened position they do not interfere with the exterior insect screen.
- 3) After locating the proper position, install the aluminum back plate, (Diagram A) using #8 x 1" PH SMS zinc plated screws to the jambs, making sure both sides are in alignment.
- 4) Install Vinyl Hardware channels with the Jalousie clips in the open position. Snap on channels to the aluminum back plate making sure channels are securely fastened from top to bottom. Use #8 x 1-1/4" FH SMS at each end of channel.
- 5) To install head and sill weatherstrips, cut the extruded vinyl stops to the width of the window jamb to jamb. Notch out 3/4" of the base (ribbed side) of extrusion from each end leaving the one side to extend past the louver channel and up the window jamb. Use #8 x 1" PH SMS stainless steel screws (Diagram B) to secure the weatherstrips to the head and sill. Drill one 3/16" diameter hole through upstand containing PVC Weatherseal midway between jambs to drain any moisture on sill.



DEALER