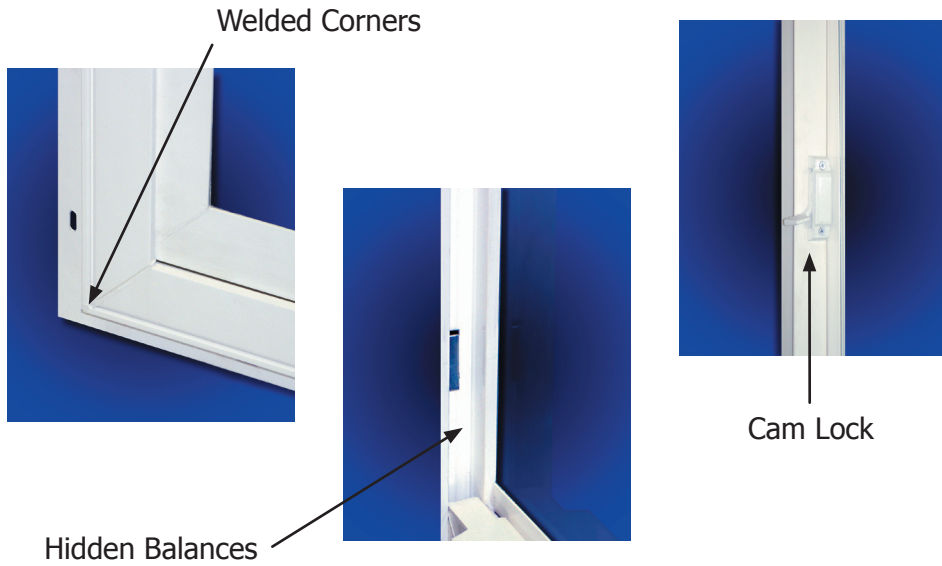
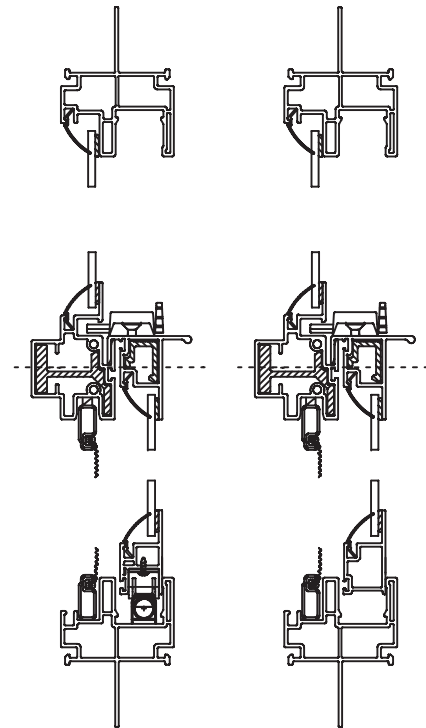


SPECIAL FEATURES



Single Hung Window

Horizontal Sliding Window



INTERIOR

INTERIOR

Single Glazed ONLY

Single Glazed ONLY

SIZE CHART

HORIZONTAL SLIDER										SINGLE HUNG						
WIDTHS										Net Frame Sizes	WIDTHS					
2/0	2/6	3/0	3/6	4/0	5/0	6/0	8/0			1/6	2/0	2/6	3/0	3/6	4/0	
23-5/8"	29-5/8"	35-5/8"	41-5/8"	47-5/8"	59-5/8"	71-5/8"	95-5/8"			17-5/8"	23-5/8"	29-5/8"	35-5/8"	41-5/8"	47-5/8"	
1/6										17-5/8"					1/6	
2/0										23-5/8"					2/0	
2/6										29-5/8"					2/6	
3/0										35-5/8"					3/0	
3/6										41-5/8"					3/6	
4/0										47-5/8"					4/0	
4/6										53-5/8"					4/6	
5/0										59-5/8"					5/0	
XO Units								XOX Units		SH (1/2 Vent) Units						

NET FRAME SIZES: NAIL-ON WINDOWS = Callout minus 3/8" width and height
ROUGH OPENING SIZES - Callout sizes

TRADEWIND SPECIAL FEATURES

- Durable multi chamber vinyl extrusions with fusion welded corners and aluminum reinforced mullions and lock stiles.
- Single Glazed with a variety of Glass options; Clear or Obscure Glass & Bronze & Gray Tinted Glass.
- Dual nylon rollers for sliding panels for quiet and ease of operation.
- Concealed balancer with no exposed mechanism or cords showing for single hung units.
- Cam Action lock for forced entry security.
- Easy removeable insect screens fabricated with 3/4" x 5/16" aluminum rolled formed frames & 18x16 fiberglass mesh.
- Windows can be field glazed using double sided tape and snap in glazing beads.
- Complies with AAMA R-20 specifications.
- Available in White and Almond colors.



RMA SALES

Authorized Dealer